



sun protection systems

Venetian  
blind systems

  
**sun fas**



# Venetian blinds

---

Venetian blinds are modern and elegant window or door covers for outdoor installation. They provide an excellent barrier against excessive sunlight. They make it possible to adjust the amount of light and heat coming into the room. Alongside their practical qualities, venetian blinds can be an aesthetic building decoration. They feature a simple and modern design and are dedicated to building structures with large window areas or glass façades.

## advantages of our solutions

---

- \_ complete absence of visible mounting screws on both the guides and the cover box
- \_ easy and quick installation
- \_ different variants of guide channels
- \_ smooth control of the blinds (opening and closing) in the range of 90° and 180° to ensure comfortable and individual adjustment of the degree of light coming inside
- \_ two box options available: extruded and self mounted

## offer

---

- \_ available variants of the SunFas venetian blinds: with an extruded box – SunFas EX and with a self mounted box – SunFas S
- \_ concealed and adaptive options available
- \_ available slats with C-shaped / C80 / and Z-shaped / Z90/

## venetian blind SunFas EX

- \_ extruded box
- \_ slats available in two shapes: C80 and Z90
- \_ two types of guides available: N91 and D22
- \_ available mounting options: adaptive and concealed
- \_ option of using the DK40 partition guide to split the blinds



- \_ shutter width: min 600 mm – max 4 000 mm
- \_ shutter height: max 4 000 mm
- \_ standard box height: 220 mm, 270 mm, 320 mm, 350 mm, 400 mm

## venetian blind SunFas S

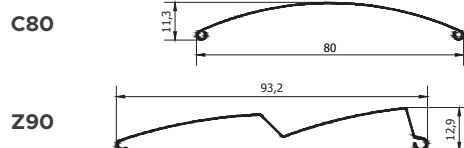
- \_ self mounted box
- \_ slats available in two shapes: C80 and Z90
- \_ N91 guide
- \_ available mounting options: adaptive and concealed



- \_ shutter width: min 600 mm – max 3 500 mm
- \_ shutter height: max 3 000 mm

## technical data

- \_ high-quality aluminium slats
- \_ available in two shapes: C80 and Z90



## control

- \_ wired or radio control
- \_ possible interaction with a weather automation system
- \_ option of connecting covers to a smart home management system

## drive

the venetian blind system can be equipped with an electric drive for free control of the blind and the angle of slat inclination. The drive-equipped shutters move smoothly, the slats position themselves perfectly to modulate the light and control the level of sunlight in the rooms inside the house. Using top-class automation solutions / Somfy and other manufacturers' drives on offer / blinds can be controlled via computer, smartphone or tablet.

## structure dimensions

### SunFas EX

Type of slat	min. width [mm]	max. width [mm]	max. height [mm]
C80	600	4 000	4 000
Z90	600	4 000	4 000

### SunFas S

Type of slat	min. width [mm]	max. width [mm]	max. height [mm]
C80	600	3 500	3 000
Z90	600	3 500	3 000

## functionality

Venetian blinds make it possible to control and flexibly adjust the amount of sunlight reaching the building interior. SunFas venetian blind can be raised and lowered and the angle of slats can be changed so that not only the heat input but also the light coming into the to the interior of the building structure can be adjusted by selecting the appropriate degree of shading. The blinds transform the appearance of the façade by adding an interesting and modern touch. They provide a decorative element while raising the standard of the building. The wide range of covers offered, the interesting shape and available colours of the products ensure an aesthetically pleasing appearance, with the possibility of selecting a drive and using a weather automation system to enhance the functionality of the system even more.





**available colours of the slats in stock**

<b>RAL</b>	7016	7021	8019	9005	9006	9016
<b>DB</b>	703					



7016

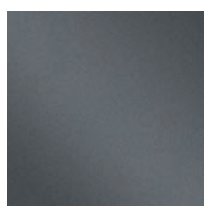
7021

8019

9005

9006

9016



703

**dedicated shutter box and guide colours from the Aliplast palette**

<b>RAL</b>	7016i	7021i	8019i	9005i	9006i	9016i
<b>DB</b>	703T					



sun protection systems

# Standard external blind with the **C80** profile

---

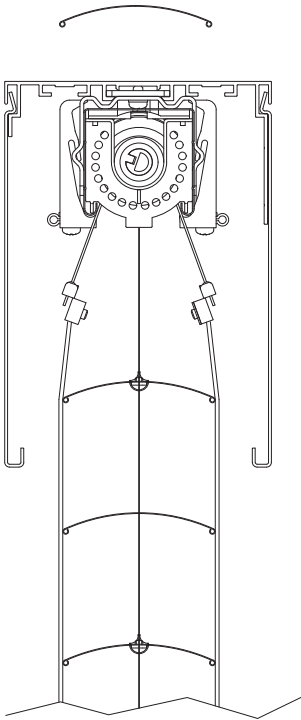
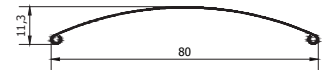
## venetian blind C80

- \_ the curved C-shaped slat has proven its value with many types of indoor and outdoor shutters: the profile edges folded inwards on both sides provide additional reinforcement to ensure the rigidity and stability of the aluminium slats even with the maximum width of the system
- \_ high-quality, weather-resistant powder-coated aluminium slats
- \_ maximum C80 slat rotation: 180° / option of greater adjustment of the light coming inside
- \_ available box option: self mounted /Sunfas S/ and extruded /Sunfas EX/
- \_ concealed and adaptive options available

## technical data

- \_ C80 slats made of high-quality aluminium
- \_ slat shape – C-shaped in the cross-section

C80



C80 system cross-section



flush mounted external  
venetian blind C80



adaptive external  
venetian blind C80



venetian blind / adaptive /  
surface-mounted / C80

Venetian blind – a perfect solution  
for demanding customers



sun protection systems

## Standard external blind with the **Z90** profile

---



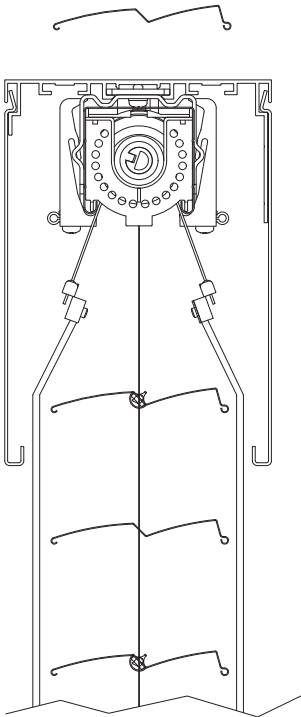
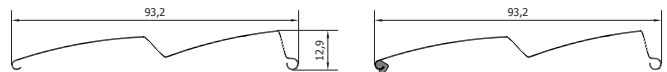
## venetian blind Z90

- \_ Z-shaped slat designed in such a manner to ensure the maximum shading in the room
- \_ compact blind package when rolled up: the shape of the slats provides the lowest possible height of the blind package when rolled up
- \_ Z90 slat option with a damping gasket available
- \_ high-quality, weather-resistant powder-coated aluminium slats
- \_ maximum Z90 slat rotation: 90°
- \_ available box option: self mounted /Sunfas S/ and extruded /Sunfas EX/
- \_ concealed and adaptive options available

## technical data

- 01 \_Z90 slat shape
- 02 \_Z90 slat equipped with a damping gasket

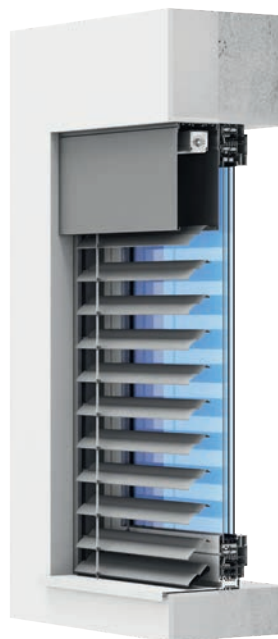
Z90



Z90 system cross-section



flush mounted external  
venetian blind Z90

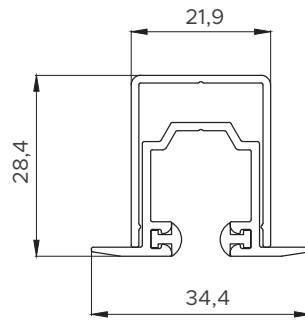
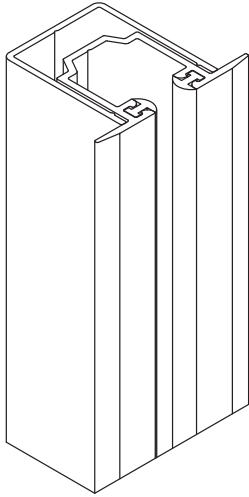


adaptive external  
venetian blind Z90

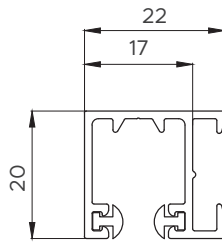
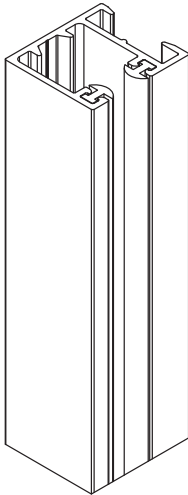


venetian blind / adaptive /  
surface-mounted / Z90

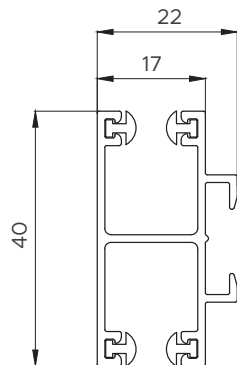
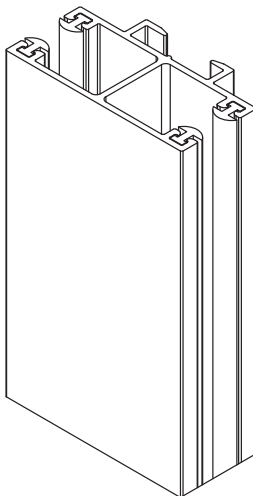
Simple and modern design



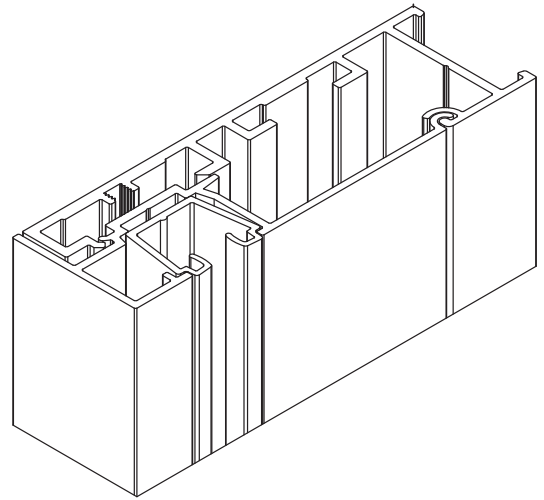
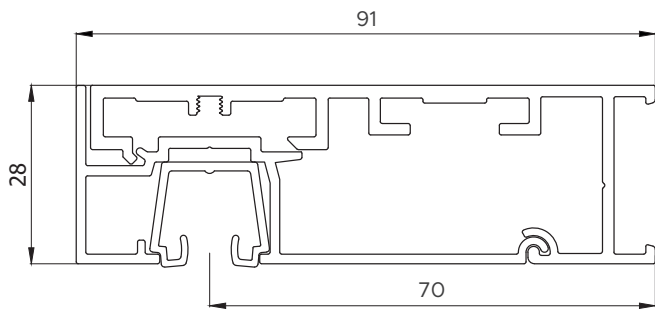
in-wall guide Z34




guide with D22 spacer



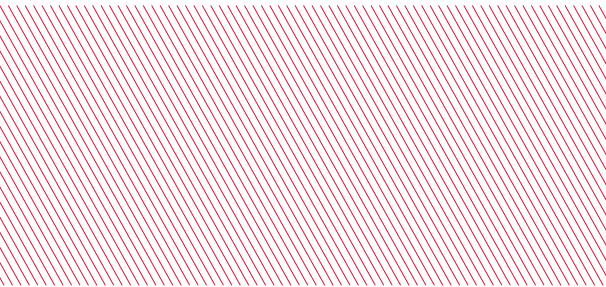
central guide with D40 spacer



 N91 guide



**Elegant**  
and modern design



**aliplast**  
aluminium systems

**Aliplast Sp. z o.o.**  
ul. Wacława Moritza 3  
20-276 Lublin, Poland

**Contact**  
e-mail: [systemyoslonowe@aliplast.pl](mailto:systemyoslonowe@aliplast.pl)

**Information**  
Taxpayer Identification Number (NIP): 946-23-54-607  
National Court Register Number (KRS): 0000119312  
[www.aliplast.pl](http://www.aliplast.pl)